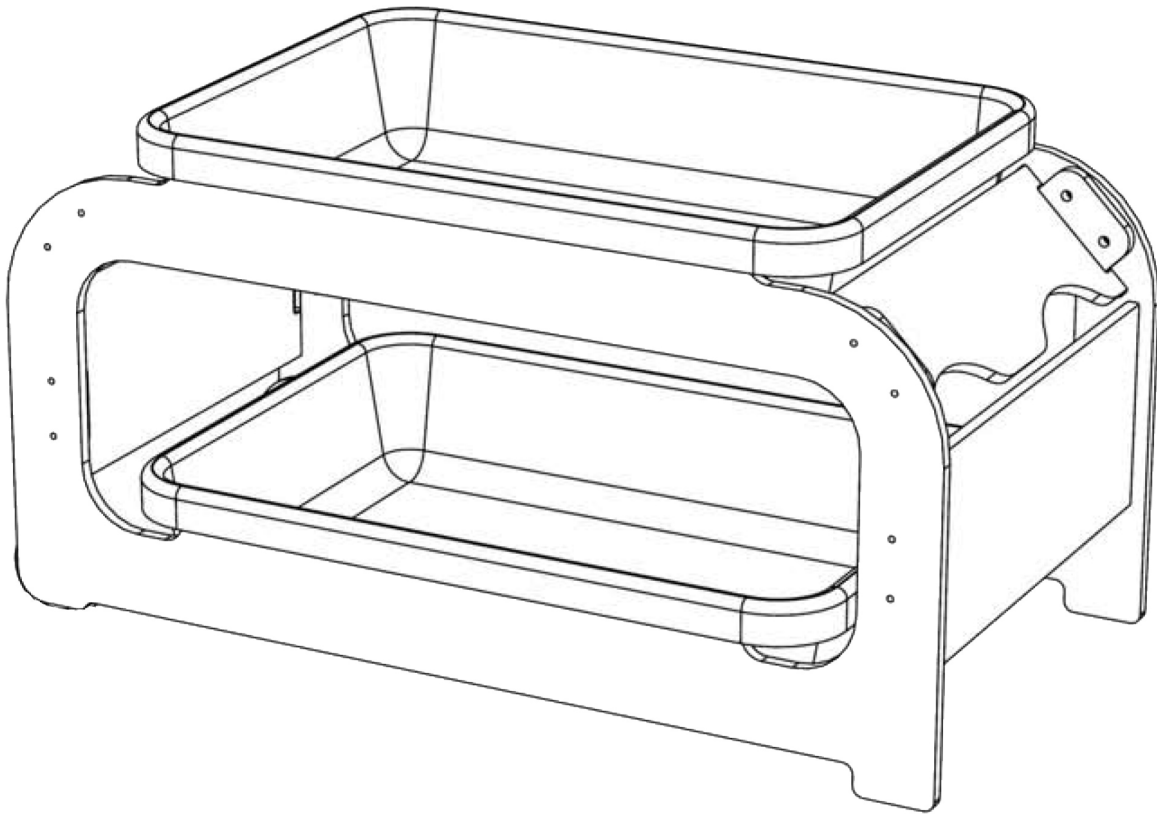


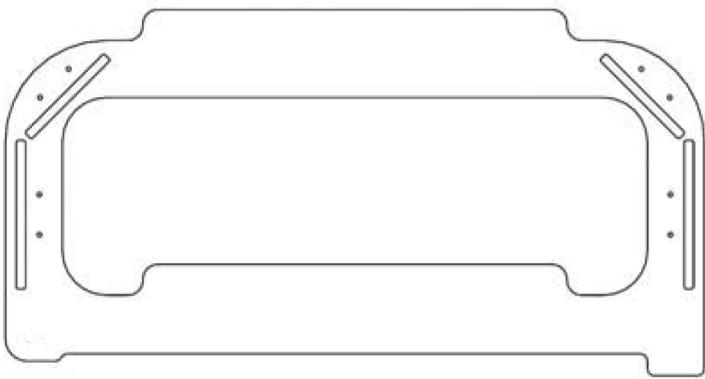
Sand & Water Table

Assembly Instructions



Thank you for buying the Kedel Sand & Water Table. We had a lot of fun designing it. We hope you have many adventures and just as much fun using it for many years to come. It requires no maintenance once assembled. Please make sure all the fixings are installed correctly so that you can play in it safely :-)

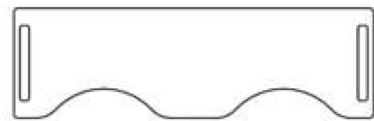
Please check over your newly purchased Sand & Water table and make sure it contains all the components listed on this page. Should any be missing give us a call and we'll get it sent out to you straight away:-)



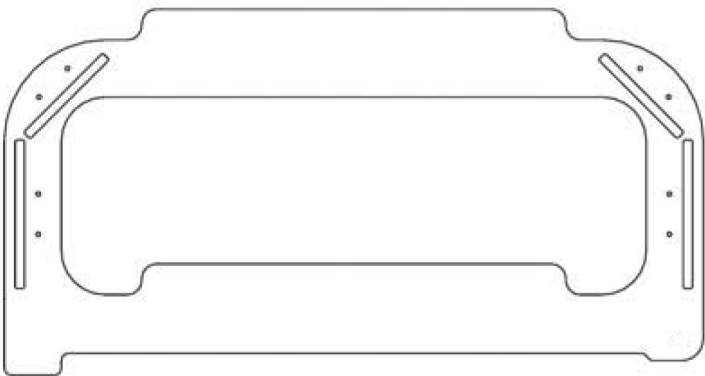
1



2



2



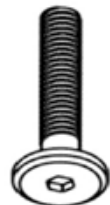
1



8

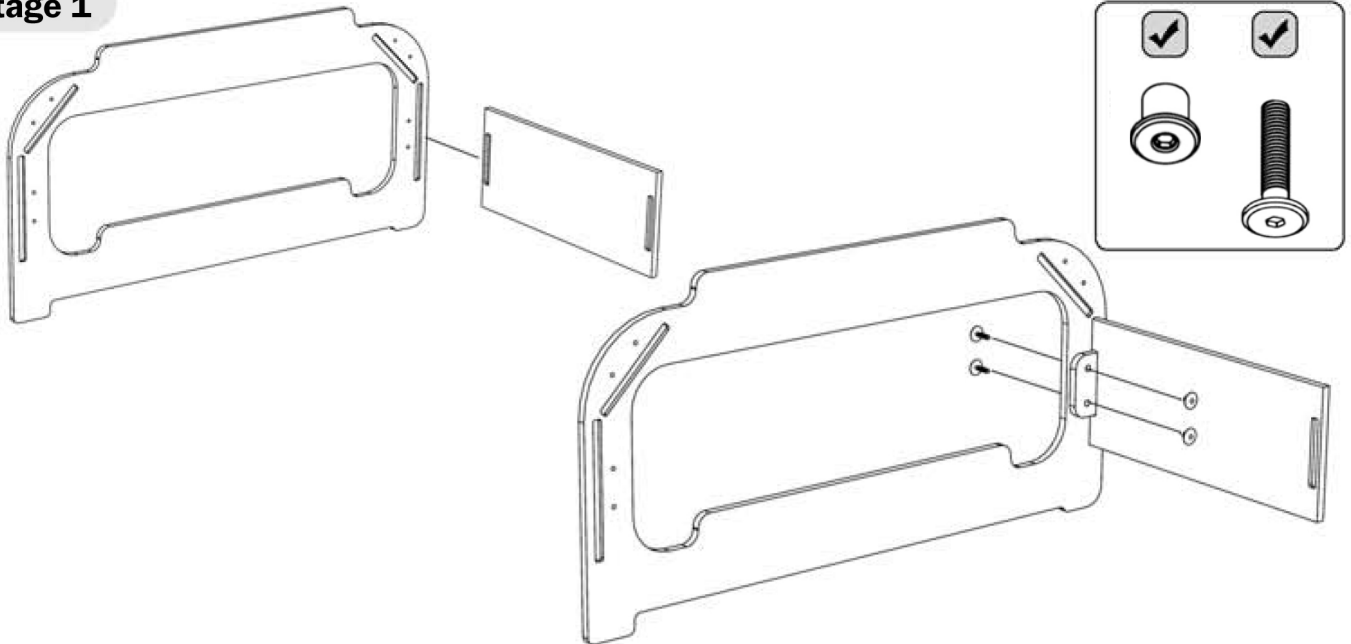
16

16



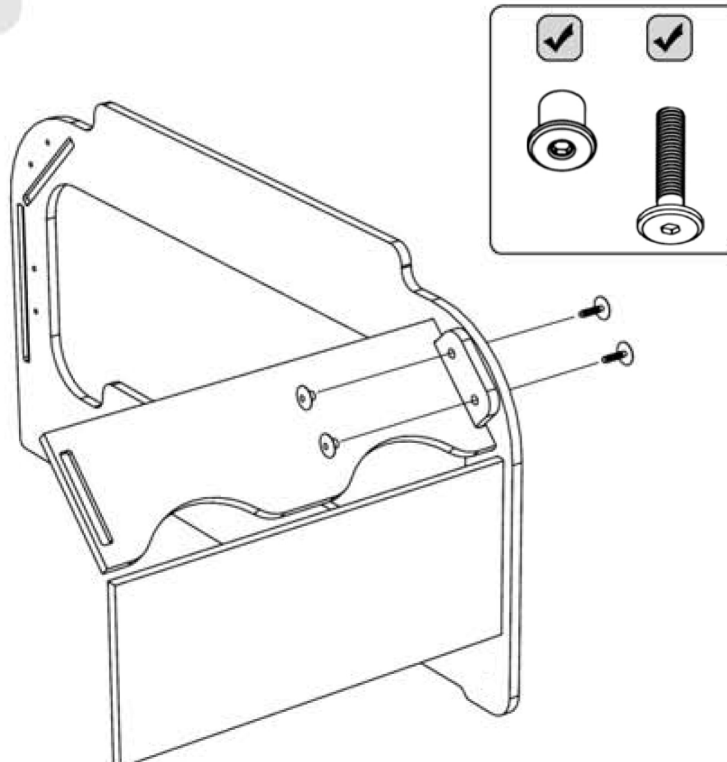
2

Stage 1



Putting together the Sand and Water table requires two people so first of all you will need to recruit a partner. Choose one of the large side pieces to begin with, it doesn't matter which one. Insert the rectangular piece into the groove and push in the small plastic locking block. Using the fittings provided, push them together as tight as possible through the pre-drilled holes as shown above.

Stage 2

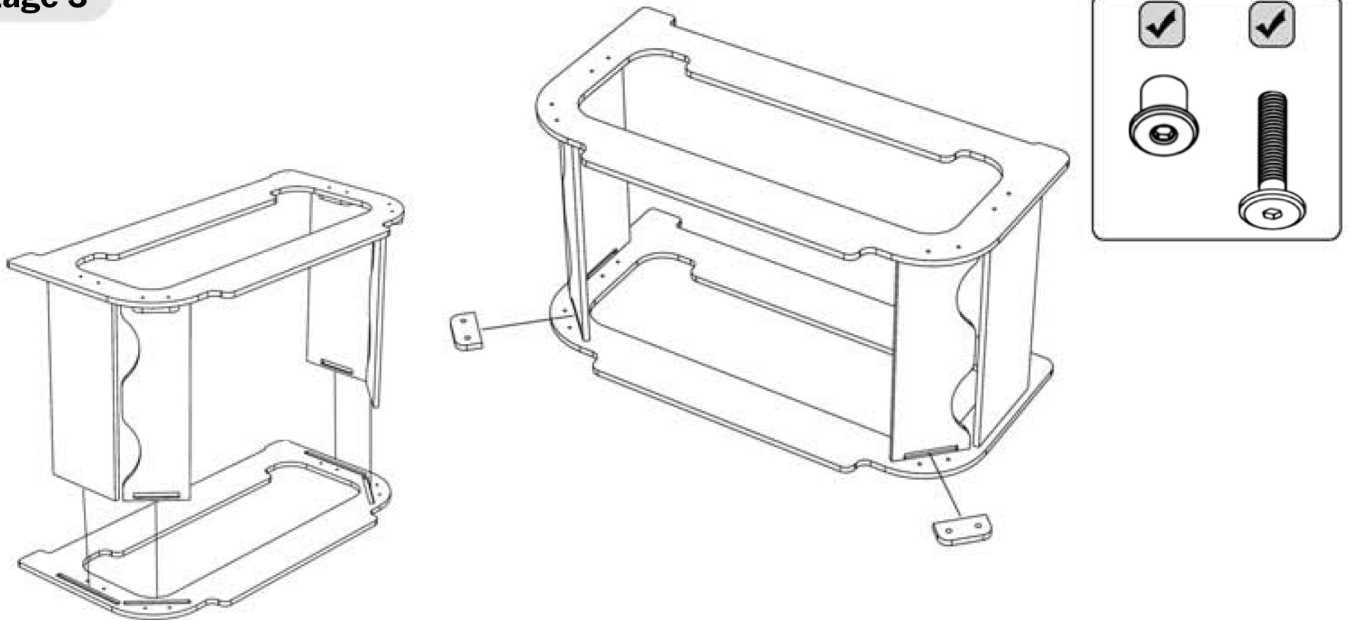


Now take one of the other pieces as shown here and attach using the same method.

We recommend that one person hold the structure together whilst the other inserts the fixings. It might seem a little loose at this point but once fully assembled the structure becomes solid.

You can now repeat stages 1 and 2 on the other side of the piece, making sure to push the plastic fittings together as tight as possible.

Stage 3



Once you have attached all 4 pieces to one of the side pieces, its now time to attach the other. As before, each section needs to slot into one of the grooves that are cut into the surface. Working your way around, insert the plastic locking blocks and apply the fixings, again making sure to push them together as tight as possible. That extra pair of hands really makes a difference during this stage.

Now you're all done and ready to enjoy your new Sand and Water Table. Have fun!